

Number 2F Assessment

THE ANSWERS

Foundation Level



1 - 17



18 - 22

Clip	Grade	Title of clip	Question(s)	Marked out of	Score	%
66.....	3.....	Multiplying Decimals	1 - 3	8	___	___
67.....	3.....	Dividing Decimals	4 - 5	6	___	___
68.....	3.....	Four Rules of Negatives	6 - 7	8	___	___
69.....	3.....	Listing Strategies	8	3	___	___
70.....	3.....	Comparing Fractions	9	2	___	___
71.....	3.....	Adding and Subtracting Fractions	10 - 11	4	___	___
72.....	3.....	Finding a Fraction of an Amount.	12	1	___	___
73.....	3.....	Multiplying Fractions	13 - 14	3	___	___
74.....	3.....	Dividing Fractions	15	2	___	___
75.....	3.....	BODMAS/BIDMAS	16	4	___	___
76.....	3.....	Reciprocals	17	2	___	___
77.....	3.....	Calculator Questions	18 - 22	12	___	___

Out of 55

TOTAL SCORE _____

Final Percentage %

1) Work out the answers to

a) $0.3 \times 0.4 = \underline{0.12}$ 1

b) $0.4 \times 0.2 = \underline{0.08}$ 1

2) Work out the answers to the following, showing your working

a) $2.7 \times 4.1 = \underline{11.07}$ 2

b) $12.3 \times 0.36 = \underline{4.428}$ 2

3) Tom has a job that pays £9.32 per hour.
He worked for 40 hours last week.

How much did he earn? $\underline{£372.80}$ 2

4) Work out

a) $12 \div 0.3 = \underline{40}$ 2

b) $51.36 \div 1.6 = \underline{32.1}$ 2

5) If a textbook costs £7.80, how many can be bought for £101.40?

$\underline{13}$ books can be bought. 2

6) Work out

a) $5 - 8 = \underline{-3}$ 1

b) $-7 - 3 = \underline{-10}$ 1

c) $4 + (-12) = \underline{-8}$ 1

d) $(-9) - (-3) = \underline{-6}$ 1

7) Work out

a) $5 \times (-3) = \underline{-15}$ 1

b) $(-7) \times (-2) = \underline{14}$ 1

c) $(-86) \div (-2) = \underline{43}$ 1

d) $(-36) \div 12 = \underline{-3}$ 1

8) Hannah has these three cards.

$\boxed{5}$

$\boxed{7}$

$\boxed{2}$

Make a list of all the 3-digit numbers she can make using the cards.

572
527
752
725
257
275

3

9) Put the following fractions in order of size, smallest to largest.

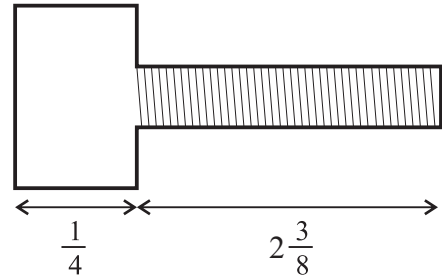
$$\frac{2}{3} \quad \frac{1}{2} \quad \frac{1}{4} \quad \frac{5}{8} \quad \frac{13}{12}$$

$$\frac{1}{4} \quad \frac{1}{2} \quad \frac{5}{8} \quad \frac{2}{3} \quad \frac{13}{12}$$

2

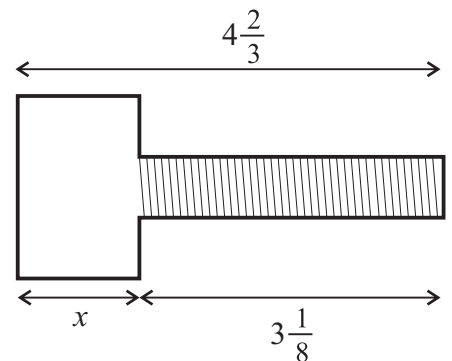
10) The bolt has given lengths measured in inches.

What is the total length of the bolt? $2\frac{5}{8}$ inches. 2



11) The bolt has given lengths measured in inches.

What is the length (x) of the head of the bolt? $1\frac{13}{24}$ inches. 2



12) Work out $\frac{4}{5}$ of 150 120 1

13) Work out $\frac{4}{9} \times \frac{27}{36}$ $\frac{1}{3}$ 1

14) A water container is $\frac{1}{8}$ full.
35 litres of water are poured into the container.
The container is now $\frac{3}{4}$ full.

When the container is full, how much water does it hold? 56 litres 2

15) Calculate

a) $\frac{2}{3} \div \frac{3}{4}$ $\frac{8}{9}$ 1 b) $2\frac{4}{5} \div \frac{2}{3}$ $4\frac{1}{5}$ 1

16) Work out

a) $2 + 3 \times 4 =$ 14 1 b) $5 \times 6 + 3 \times 2 =$ 36 1
c) $3 \times 4^2 =$ 48 1 d) $5 \times (6 + 3) \times 2 =$ 90 1

17) a) Find the reciprocal of 7 $\frac{1}{7}$ 1

b) Find the reciprocal of $\frac{4}{5}$ $\frac{5}{4}$ 1

A  *can be used for all questions on this page.*

- 18) Work out $\frac{4.8 + 10.6}{2.3 - 0.5}$ giving your answer to 1 decimal place. 8.6 2
- 19) Work out $\frac{1.2 \times 13.9}{(9.1 - 0.5)^2}$ giving your answer to 2 decimal places. 0.23 2
- 20) Work out $\frac{\sqrt{27.5}}{7^3 + 0.22}$ giving your answer to 3 decimal places. 0.015 2
- 21) Work out $\frac{\sqrt{3.7^2 + 19.6}}{1.3^3 - 0.7}$ giving your answer to 1 decimal place. 3.9 3
- 22) Work out $\sqrt{\frac{20 - 1.3^2}{8.9}}$ giving your answer to 2 decimal places. 1.43 3